

OPTIMUS HIKER+ - the classic multifuel expedition stove

PRODUCT CHARACTERISTICS

Fuel:	White gas, paraffin, diesel, jet fuel, unleaded petrol
ø Burning time:	up to 2.5 h at full output (with 350 ml fuel)
ø Cooking time:	For 1 l water: approx. 3,5 minutes
Output:	Watt: 2850 BTU: 9725
Weight:	1590 g
Dimensions:	180 x 180 x 110 mm
Guarantee:	2 years
Material:	Steel, brass
Article No.:	8016278 Optimus Hiker+ 8017988 Optimus Hiker+ spare parts set

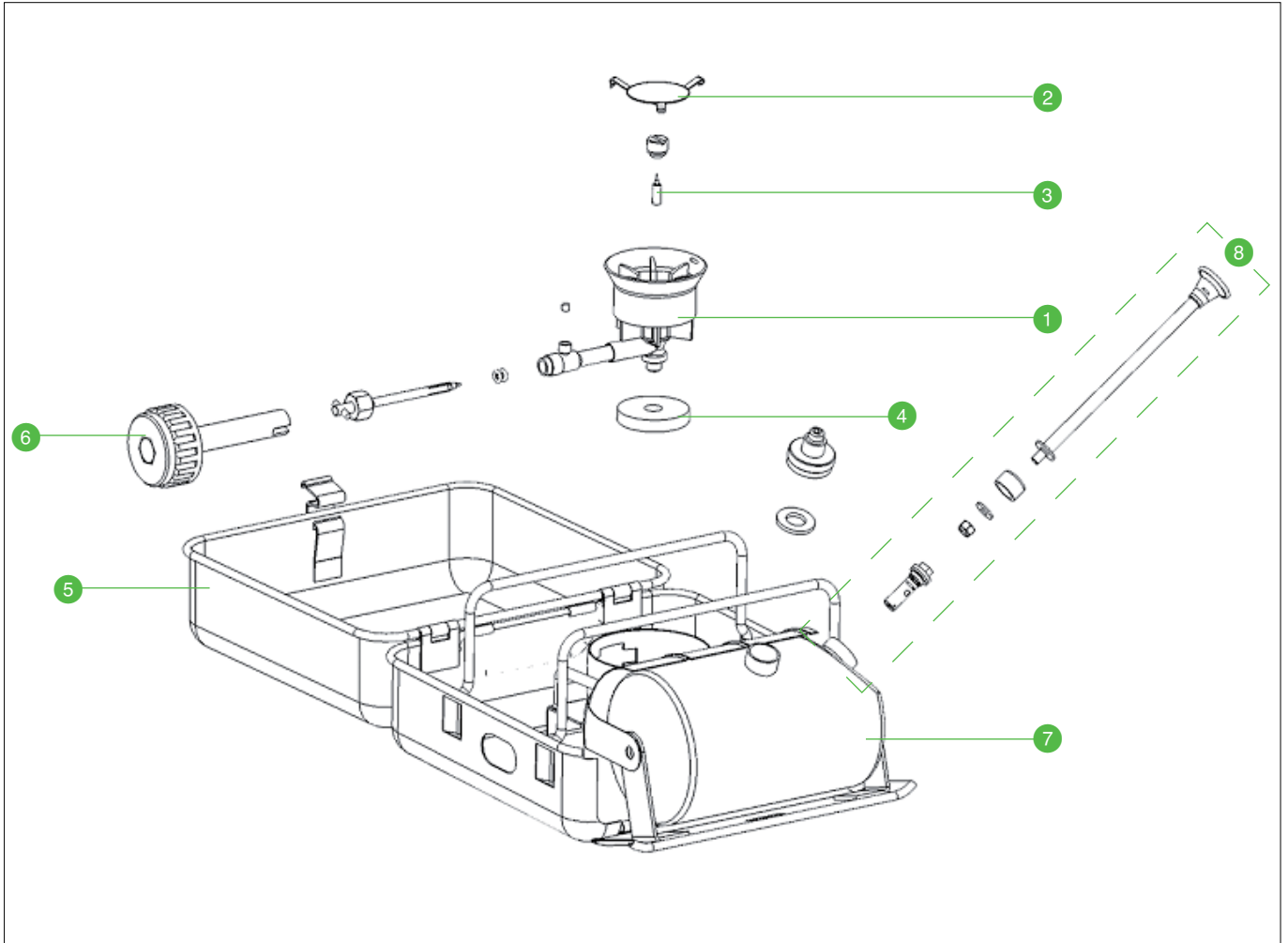


PRODUCT CHARACTERISTICS > BENEFITS

- One-piece design – simply open the lid and cook
- Precise and instant flame control
- Integrated MAGIC™ cleaning needle for quick and easy cleaning of the nozzle – even during cooking
- Patented quick priming burner requires less preheating and saves fuel
- Burns all types of fuel - using the same burner jet
- Thanks to the integrated tank pressure build-up and usage is improved even at low temperatures
- The rugged and compact steel case protects the tank and burner when packed

OPTIMUS HIKER+ - the classic multifuel expedition stove

EXPLODED VIEW



- 1 Burner
- 2 Burner plate
- 3 Cleaning needle
- 4 Priming wick
- 5 Burner housing
- 6 Control handle
- 7 Fuel tank
- 8 Fuel pump

Katadyn reserves the right to modify product characteristics

Katadyn Products Inc. | Pfäffikerstrasse 37 | 8310 Kemptthal | Switzerland
Tel: +41 44 839 21 11 Fax: +41 44 830 79 42
info@katadyn.ch | www.optimusstoves.com